

Car Transporter Kits

Data Sheet Issue 00/01

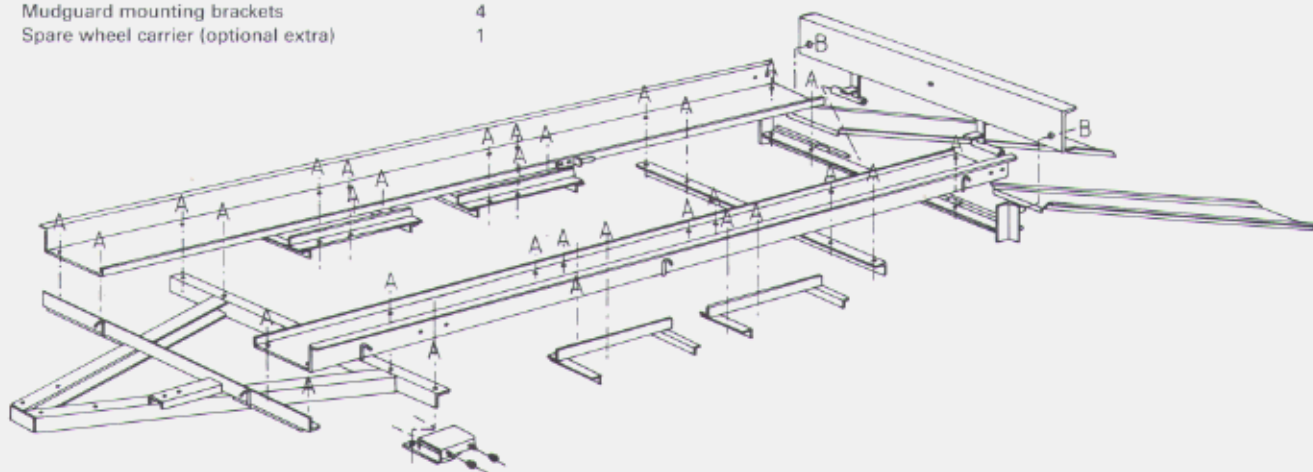
Technical Data

Trailer Kit

'A' frame assembly	1
Floor runners	2
Lighting channel assembly	1
Hinges	2
Ramps	2
Cross member	1
Rear member	1
Mudguard mounting brackets	4
Spare wheel carrier (optional extra)	1

Fixings

A - 35mm setscrew
Washers
Nyloc Nut
B - Lynch Pin



Recommended axle combinations and Trailer Kit weight*

Kit Size	Kit Weight (Fabrication only)	Combinations
12ft x 6ft (3660 x 1855mm)	322Kg	Single Axle 1000Kg braked on 13" wheels & tyres 1300Kg braked on 13" wheels & tyres Tandem Axle 2000Kg braked on 13" wheels & tyres - 2 x 1000Kg axles 2500Kg braked on 13" wheels & tyres - 2 x 1300Kg axles
14ft x 6ft (4270 x 1855mm)	336Kg	Tandem axle 1500Kg braked on 13" wheels & tyres - 2 x 750Kg axles 2000Kg braked on 13" wheels & tyres - 2 x 1000Kg axles 2500Kg braked on 13" wheels & tyres - 2 x 1300Kg axles
16ft x 6ft (4880 x 1855mm)	350Kg	Tandem axle 2000Kg braked on 13" wheels & tyres - 2 x 1000Kg axles 2500Kg braked on 13" wheels & tyres - 2 x 1300Kg axles

*Please note that gross weights on trailers are a combination of customer load, trailer fabrication weight and undergear. (i.e. axles, couplings, etc.)

Peak Trailers Limited reserve the right to alter prices and specifications in line with costs and material availability.



Peak Trailers Limited

Waterloo Industrial Estate, Waterloo Road, Bidford-on-Avon, Warwickshire, B50 4JH
 Telephone: 01789 778041 Facsimile: 01789 490331 IDD: 44 789
 e-mail: sales@peaktrailers.com Website: www.peaktrailers.com

