

# General Purpose Trailer Kits

Data Sheet Issue 00/01

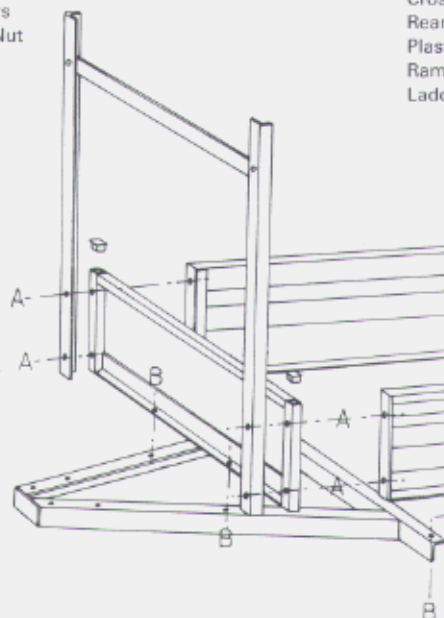
## Technical Data

### Fixings

**A** - 75mm Bolt  
Washers  
Nyloc Nut

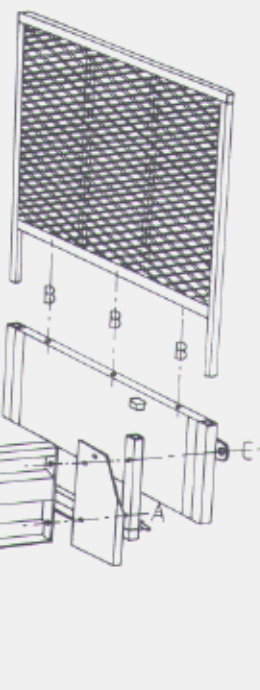
**B** - 35mm Setscrew  
Washers  
Nyloc Nut

**C** - Threaded Lug  
Cotter and Chain  
Washers  
Nyloc Nut



### Trailer Kit

'A' frame	1
Side panels	2
Front panel	1
Tailgate	1
Cross member 1 or 2 (dependant on size)	2
Rear cross member	1
Plastic caps	4
Ramp/extended tailgate (optional extra)	1
Ladder Rack (optional extra)	1



## Recommended axle combinations and Trailer Kit weight\*

**Kit Size**    **Kit Weight**    **Combinations**  
(Fabrication only)\*

**6ft x 4ft 111Kg**    **Single axle**  
(1830 x 1220mm)  
750Kg unbraked on 10" or 13" wheels & tyres  
1000Kg braked on 10" or 13" wheels & tyres  
1300Kg braked on 10" or 13" wheels & tyres  
1500Kg braked on 13" wheels & tyres  
1800Kg braked on 13" wheels & tyres

**8ft x 4ft 123Kg**    **Single axle**  
(2440 x 1220mm)  
750Kg unbraked on 10" or 13" wheels & tyres  
750Kg braked on 10" or 13" wheels & tyres  
1000Kg braked on 10" or 13" wheels & tyres  
1300Kg braked on 10" or 13" wheels & tyres  
1500Kg braked on 13" wheels & tyres  
1800Kg braked on 13" wheels & tyres

**Tandem axle**  
1500Kg braked on 10" wheels & tyres - 2 x 750Kg axles  
1500Kg braked on 13" wheels & tyres - 2 x 750Kg axles  
2000Kg braked on 13" wheels & tyres - 2 x 1000Kg axles  
2500Kg braked on 13" wheels & tyres - 2 x 1300Kg axles

**Kit Size**    **Kit Weight**    **Combinations**  
(Fabrication only)\*

**9ft x 4'6"**    **130Kg**    **Single axle**  
(2745 x 1370mm)  
750Kg unbraked on 10" or 13" wheels & tyres  
750Kg braked on 10" or 13" wheels & tyres  
1000Kg braked on 10" or 13" wheels & tyres  
1300Kg braked on 10" or 13" wheels & tyres  
1500Kg braked on 13" wheels & tyres  
1800Kg braked on 13" wheels & tyres

**Tandem axle**  
1500Kg braked on 10" wheels & tyres - 2 x 750Kg axles  
1500Kg braked on 13" wheels & tyres - 2 x 750Kg axles  
2000Kg braked on 13" wheels & tyres - 2 x 1000Kg axles  
2500Kg braked on 13" wheels & tyres - 2 x 1300Kg axles

**10ft x 5ft 143Kg**    **Single axle**  
(3050 x 1525mm)  
1000Kg braked on 13" wheels & tyres  
1300Kg braked on 13" wheels & tyres  
1500Kg braked on 13" wheels & tyres  
1800Kg braked on 13" wheels & tyres

**Tandem axle**  
1500Kg braked on 13" wheels & tyres - 2 x 750Kg axles  
2000Kg braked on 13" wheels & tyres - 2 x 1000Kg axles  
2500Kg braked on 13" wheels & tyres - 2 x 1300Kg axles

\*Please note that gross weights on trailers are a combination of customer load, trailer fabrication weight and undergear. (i.e. axles, couplings, etc.)

Peak Trailers Limited reserve the right to alter prices and specifications in line with costs and material availability.



**Peak Trailers Limited**  
Waterloo Industrial Estate, Waterloo Road, Bidford-on-Avon, Warwickshire, B50 4JH  
Telephone: 01789 778041    Facsimile: 01789 490331    IDD: 44 789  
e-mail: sales@peaktrailers.com    Website: www.peaktrailers.com

