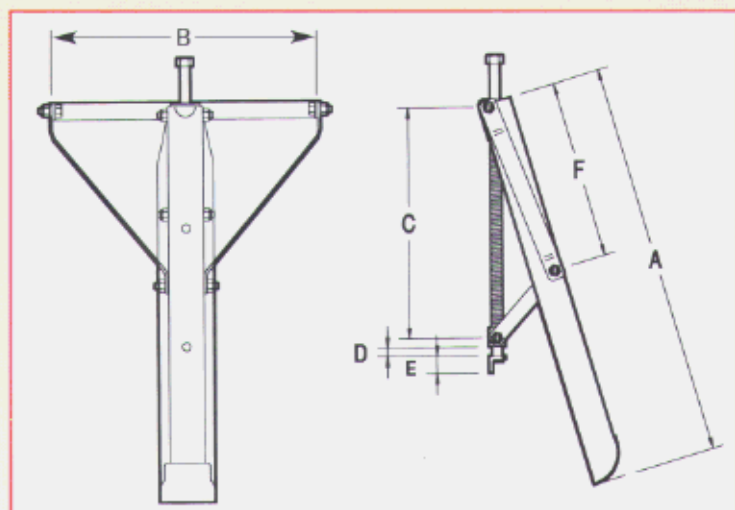


Corner Steadies and Jackstands

Data Sheet Issue 00/01

Technical Data

Corner Steadies



Dimensions inches (mm)

A:	15"	(381mm)
	18"	(457mm)
	21"	(533mm)
	24"	(609mm)
	28"	(711mm)
B:	10 ¹ / ₂ "	(266.7mm)
C:	12"	(304mm)
D:	1 ¹ / ₂ "	(38.1mm)
E:	1 ³ / ₄ "	(44.5mm)
F:	9 ¹ / ₂ "	(241mm)

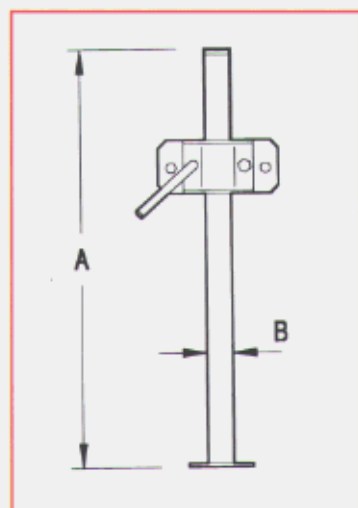
Weight in kg (Per set x 4 inc. brace)

15"	(381mm)	15.2kg
18"	(457mm)	16.4kg
21"	(533mm)	16.8kg
24"	(610mm)	18.0kg
28"	(711mm)	19.2kg

Corner steadies are available in five different sizes and generally supplied in sets of 4 including the corner steady brace.

Finish - Self Colour

Jackstands



Dimension inches (mm)

A:	20"	(508mm)
	24"	(610mm)
	28"	(711mm)
B:	1 ⁵ / ₈ "	(42mm)

Weight in kg

20"	3.0kg
24"	3.3kg
28"	3.5kg

*each including 42mm clamp bracket.

Sliding jackstands are available in three different sizes and are generally supplied complete with a 42mm pressed steel clamp bracket.

Finish - Zinc Plated

Peak Trailers Limited reserve the right to alter prices and specifications in line with costs and material availability.



Peak Trailers Limited

Waterloo Industrial Estate, Waterloo Road, Bidford-on-Avon, Warwickshire, B50 4JH

Telephone: 01789 778041 Facsimile: 01789 490331 IDD: 44 789

e-mail: sales@peaktrailers.com Website: www.peaktrailers.com

